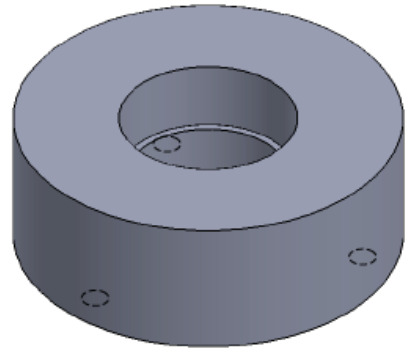
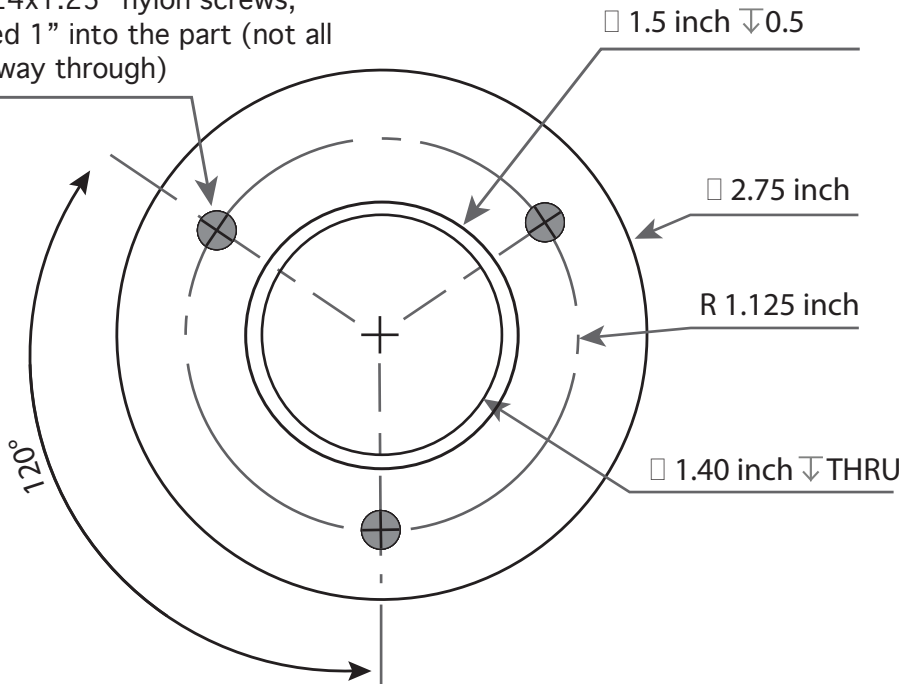
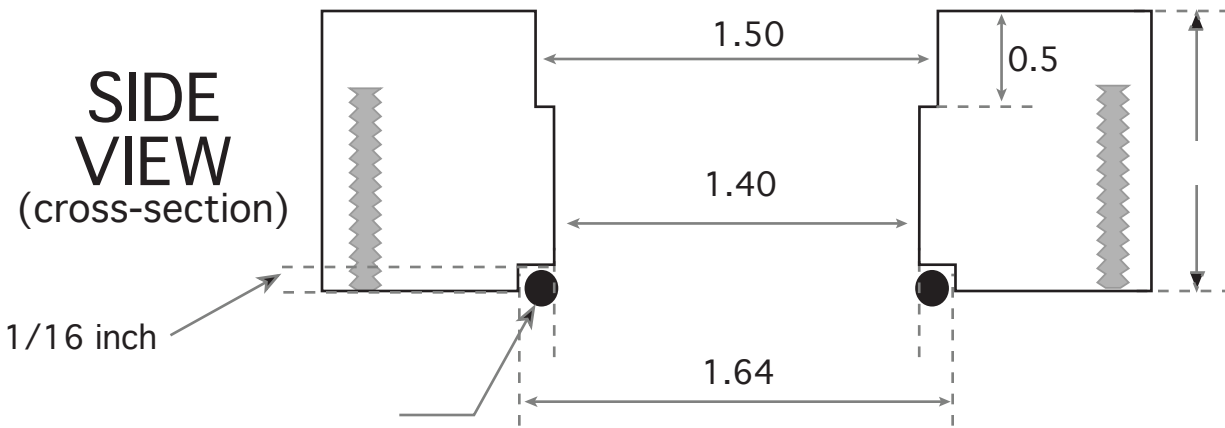


UNLESS OTHERWISE SPECIFIED, DIM ARE INCHES, MATERIAL IS TEFLON	TITLE: Large Etch Cell (8.6 cm ²)
	Designer: M. J. Sailor
University of California, San Diego Dept. of Chemistry and Biochemistry Sailor Research Group Pacific Hall room 4140 PH: 858 534 8945	

Threaded holes fitting
10-24x1.25" nylon screws,
drilled 1" into the part (not all
the way through)



**SIDE
VIEW**
(cross-section)



#220 Viton O-ring
(1-3/8 in ID, 0.139 in cross
section)

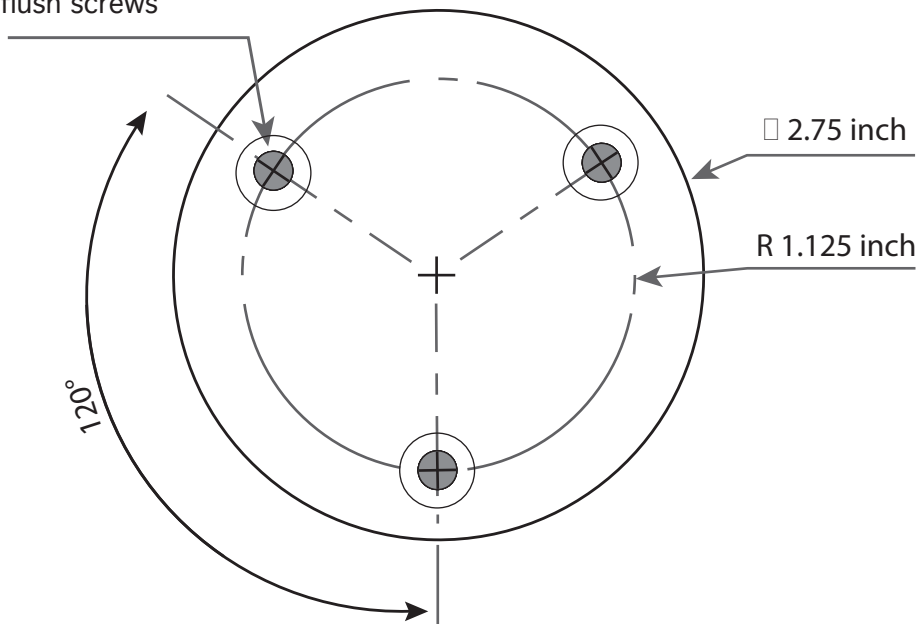
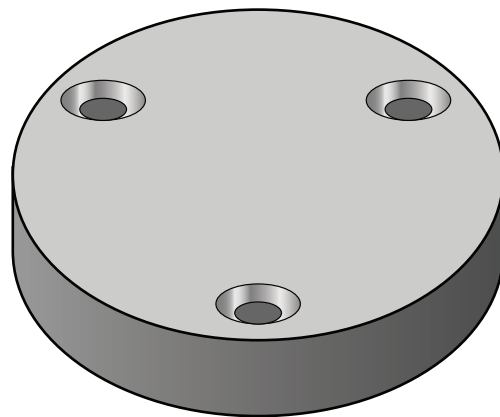
UNLESS OTHERWISE
SPECIFIED, DIM ARE
INCHES, MATERIAL IS
TEFLON

TITLE: Large (220) Etch Cell Top

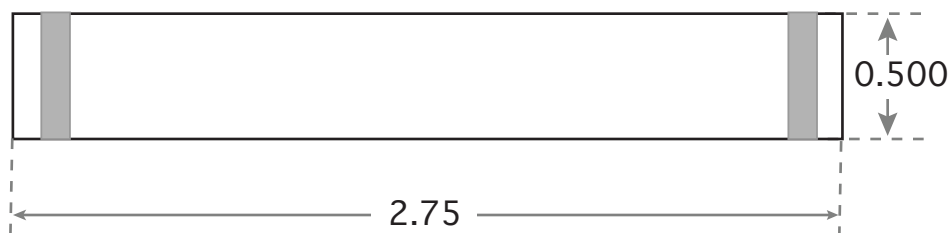
University of California
San Diego

University of California, San Diego
Dept. of Chemistry and Biochemistry
Sailor Research Group
Pacific Hall room 4140
PH: 858 534 8945

Through holes fitting
10-24x1.25" nylon screws,
drilled all the way through
bevel on one side to accept
flush screws



**SIDE
VIEW**
(cross-section)



UNLESS OTHERWISE
SPECIFIED, DIM ARE
INCHES, MATERIAL IS
TEFLON

TITLE: Large (220) Etch Cell base

Designer: M. J. Sailor

University of California
San Diego

University of California, San Diego
Dept. of Chemistry and Biochemistry
Sailor Research Group
Pacific Hall room 4140
PH: 858 534 8945