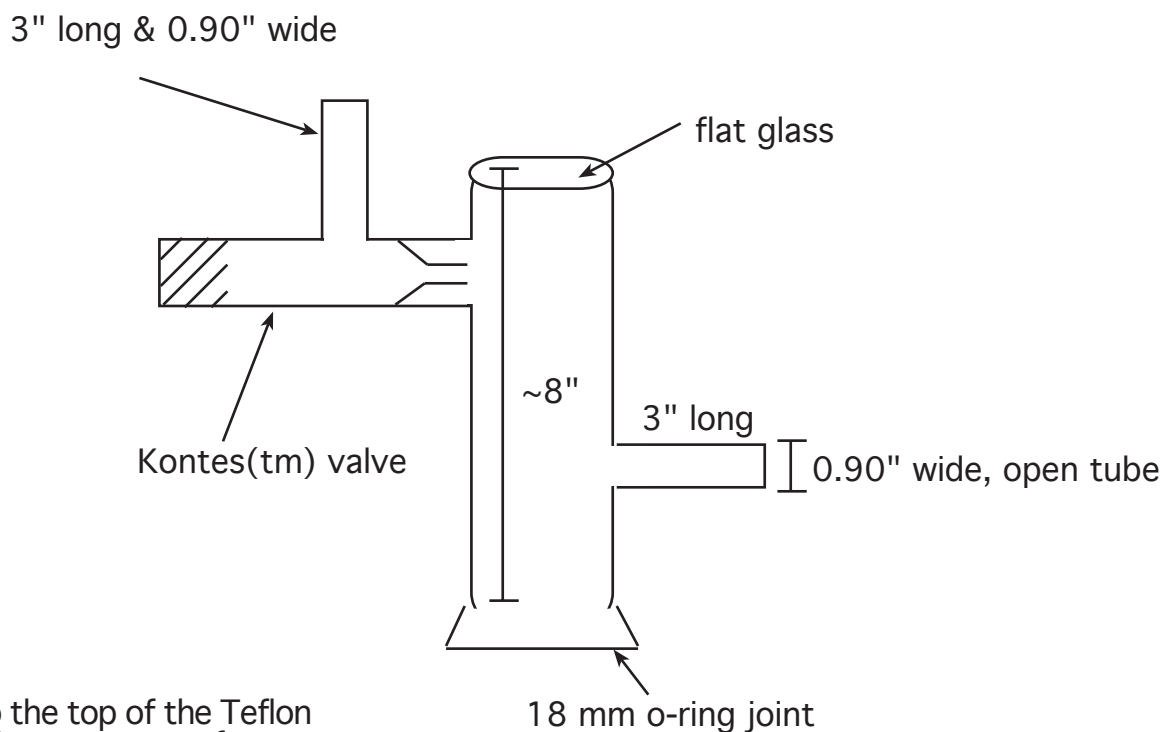


Electrochemical attachment for Teflon Etch Cell

University of California, San Diego
Dept. of Chemistry
9500 Gilman Drive
La Jolla, CA 92093-0358
<http://chem-faculty.ucsd.edu/sailor/>

Designed by
Christie Canaria
(Sailor Lab)

Material: Glass



This attaches to the top of the Teflon etch cell, allowing one to perform anaerobic electrochemical experiments. The top is flat to allow acquisition of reflectivity or photoluminescence spectra in situ. You will need to seal your reference and counter-electrode leads into the right hand side open tube using Hysol