

UNLESS OTHERWISE
SPECIFIED, DIM ARE
INCHES, MATERIAL IS
TEFLON

TITLE: Standard Etch Cell (1.2 cm²)

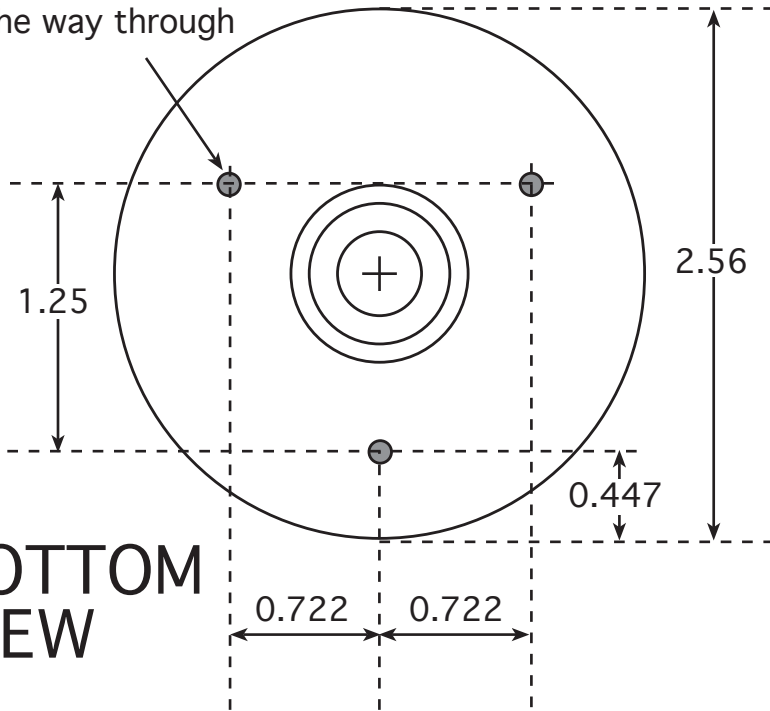
Designer: M. J. Sailor

University of California

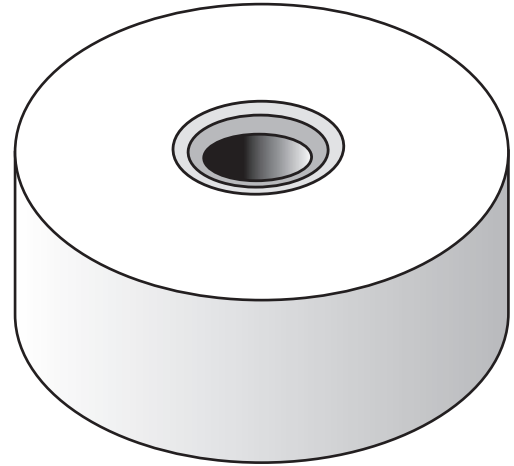
San Diego

University of California, San Diego
Dept. of Chemistry and Biochemistry
Sailor Research Group
Pacific Hall room 4140
PH: 858 534 8945

Threaded holes fitting
10-24x1.25" nylon screws, not
all the way through

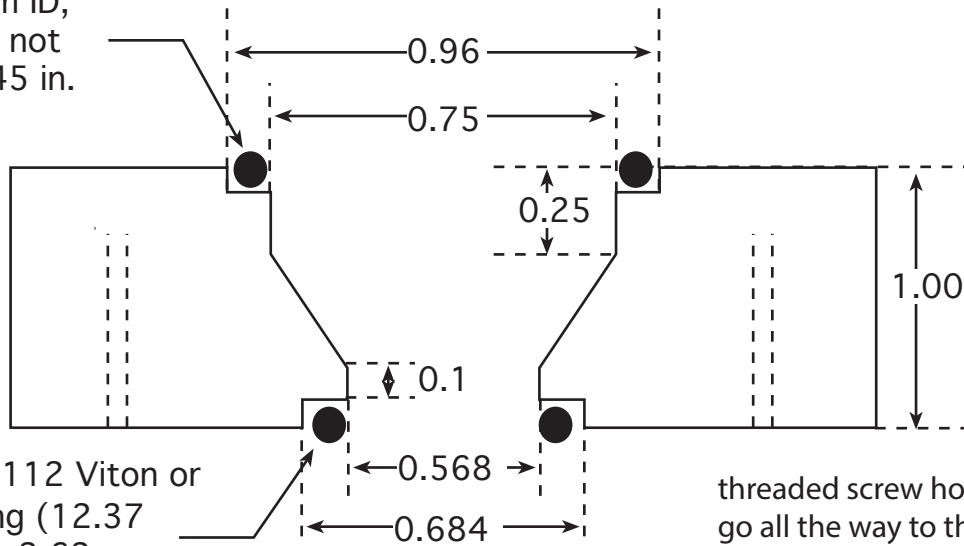


**BOTTOM
VIEW**



notch for #116 Viton
O-ring (18.72 mm ID,
2.62 mm width), not
deeper than 0.045 in.

**SIDE
VIEW**
(cross-section)



notch for #112 Viton or
Kalrez O-ring (12.37
mm ID, 2.62 mm
width), not deeper than
0.06 in.

threaded screw holes don't
go all the way to the top

UNLESS OTHERWISE
SPECIFIED, DIM ARE
INCHES, MATERIAL IS
TEFLON

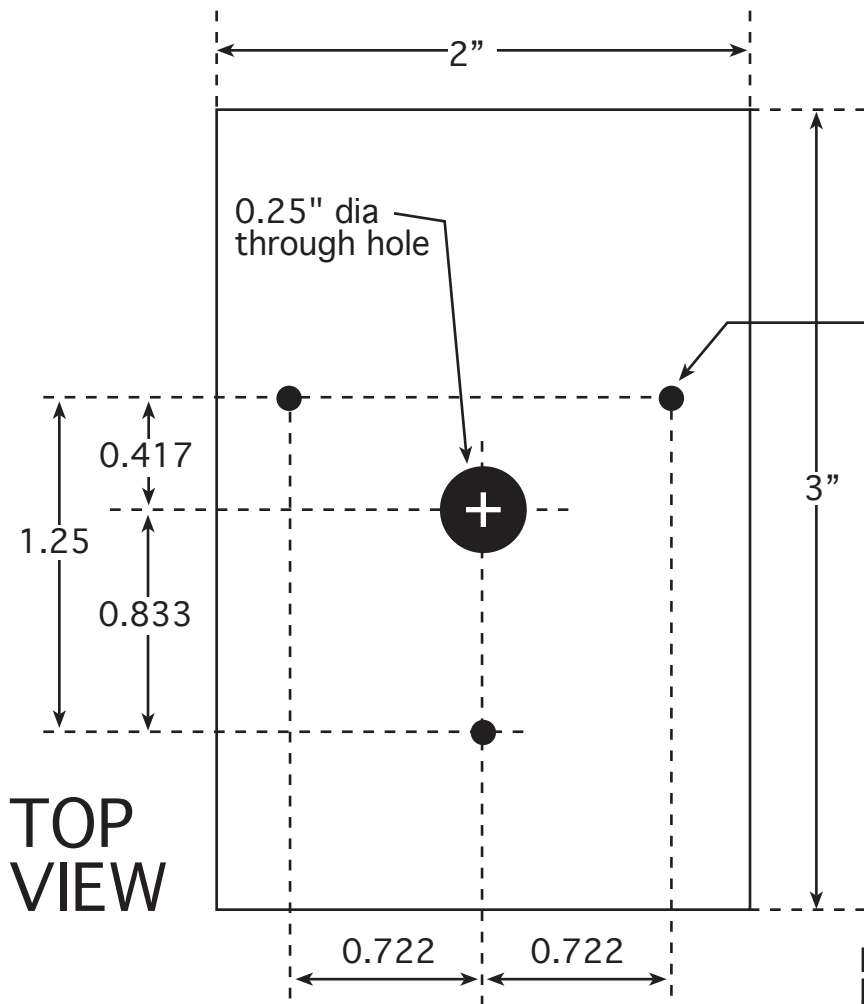
TITLE: Standard Etch Cell Top

Designer: M. J. Sailor

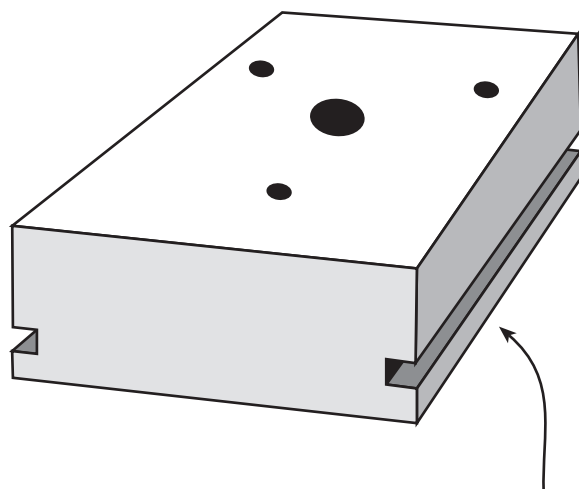
University of California

San Diego

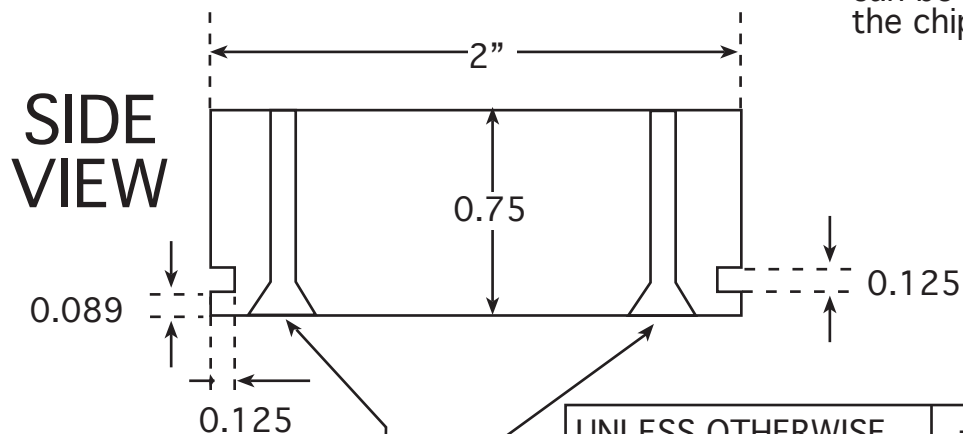
University of California, San Diego
Dept. of Chemistry and Biochemistry
Sailor Research Group
Pacific Hall room 4140
PH: 858 534 8945



through holes 0.2" dia
not tapped
fitting 10-24x1.25" nylon
screws



Note: these grooves allow the fixture to be mounted in a conventional FTIR instrument. If the electrode contact (Al foil typically) has a hole that coincides with the central 0.25" dia hole in the Teflon piece, a transmission-mode infrared spectrum of the porous Si film can be obtained without de-mounting the chip



counter-sink through holes so bottom of fixture is flat with no protruding screws

UNLESS OTHERWISE SPECIFIED, DIM ARE INCHES, MATERIAL IS TEFLON

TITLE: Standard Etch Cell Base

Designer: M. J. Sailor

University of California

San Diego

University of California, San Diego
Dept. of Chemistry and Biochemistry
Sailor Research Group
Pacific Hall room 4140
PH: 858 534 8945